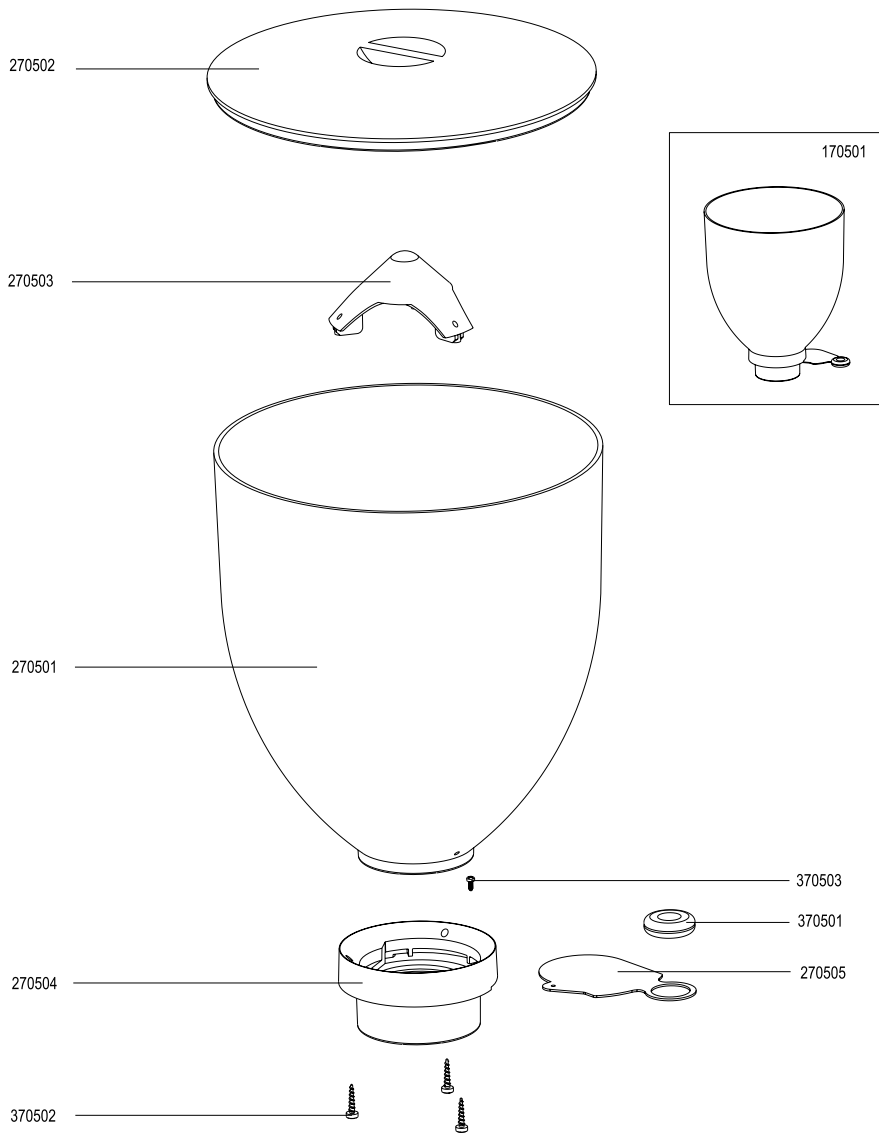




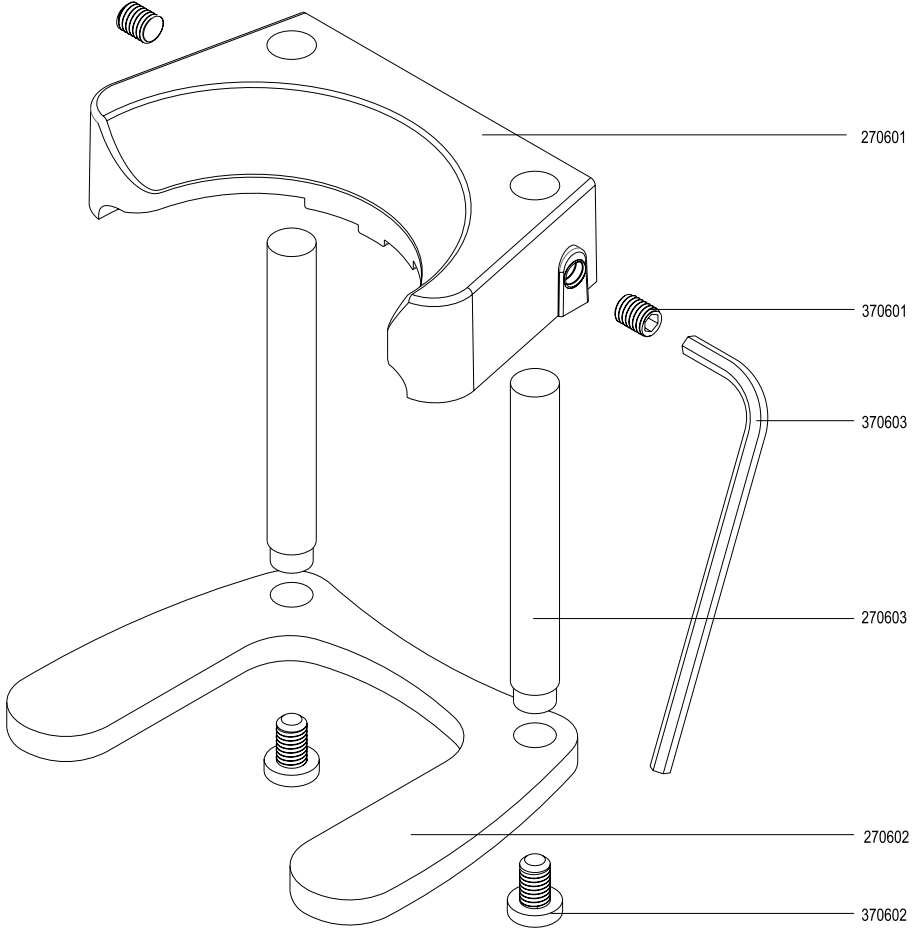
DS-68

Kinematic scheme

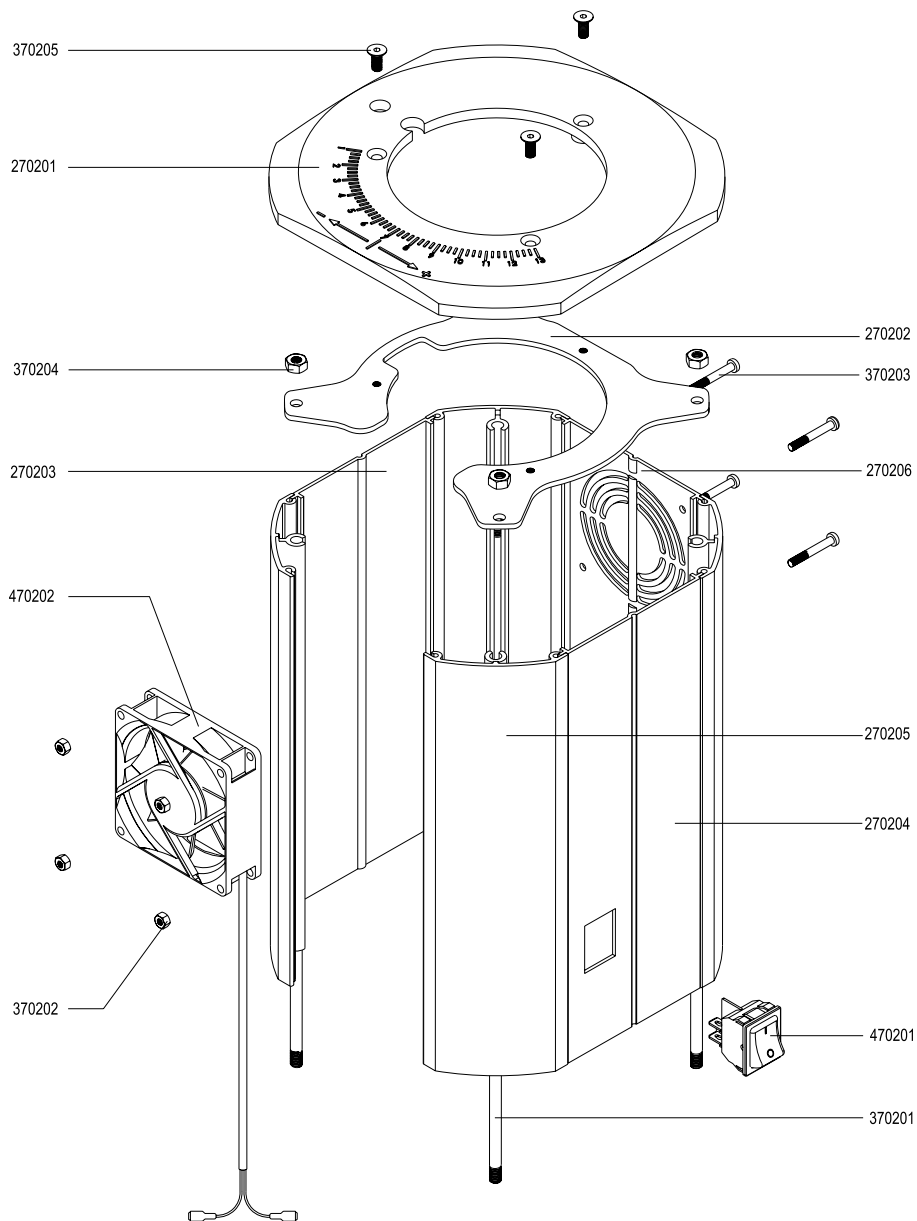
Hopper assembly



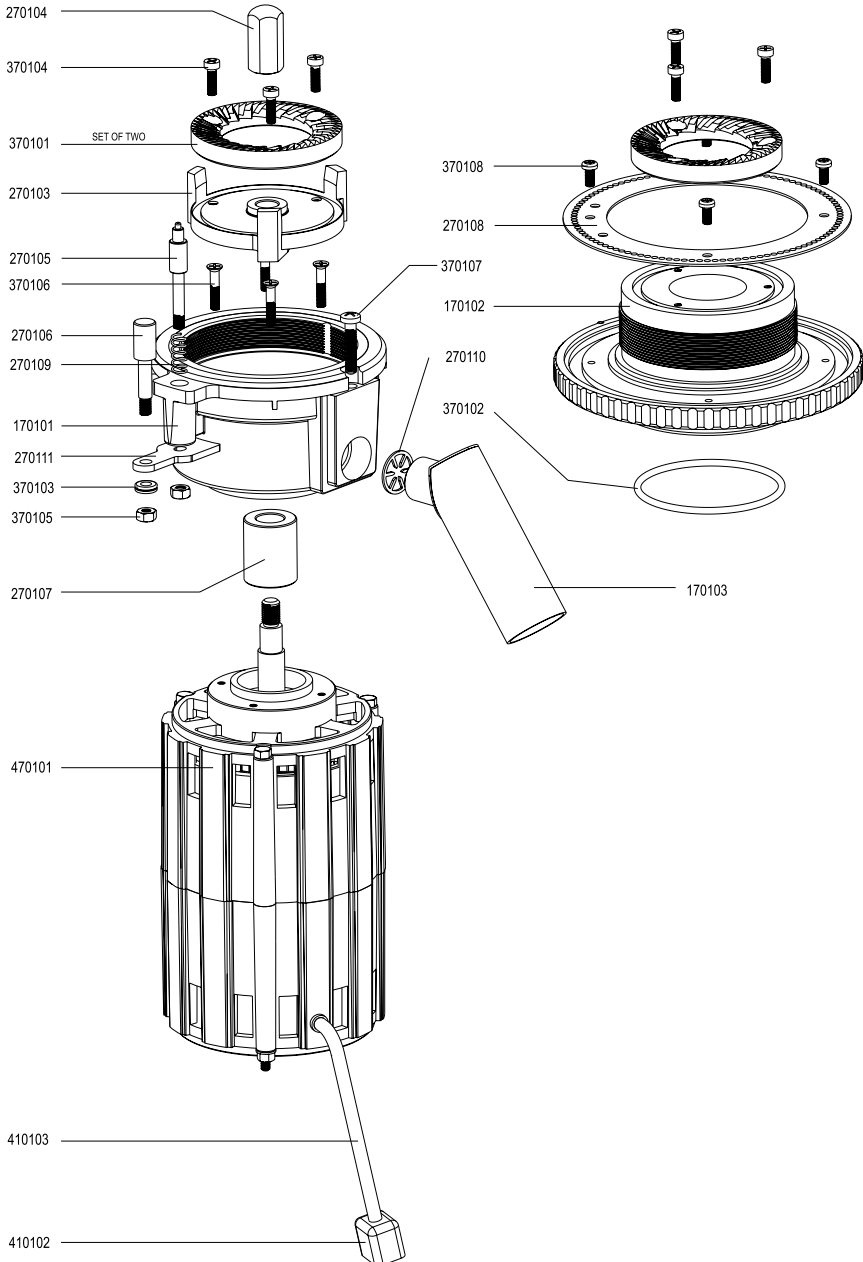
Portafilter holder



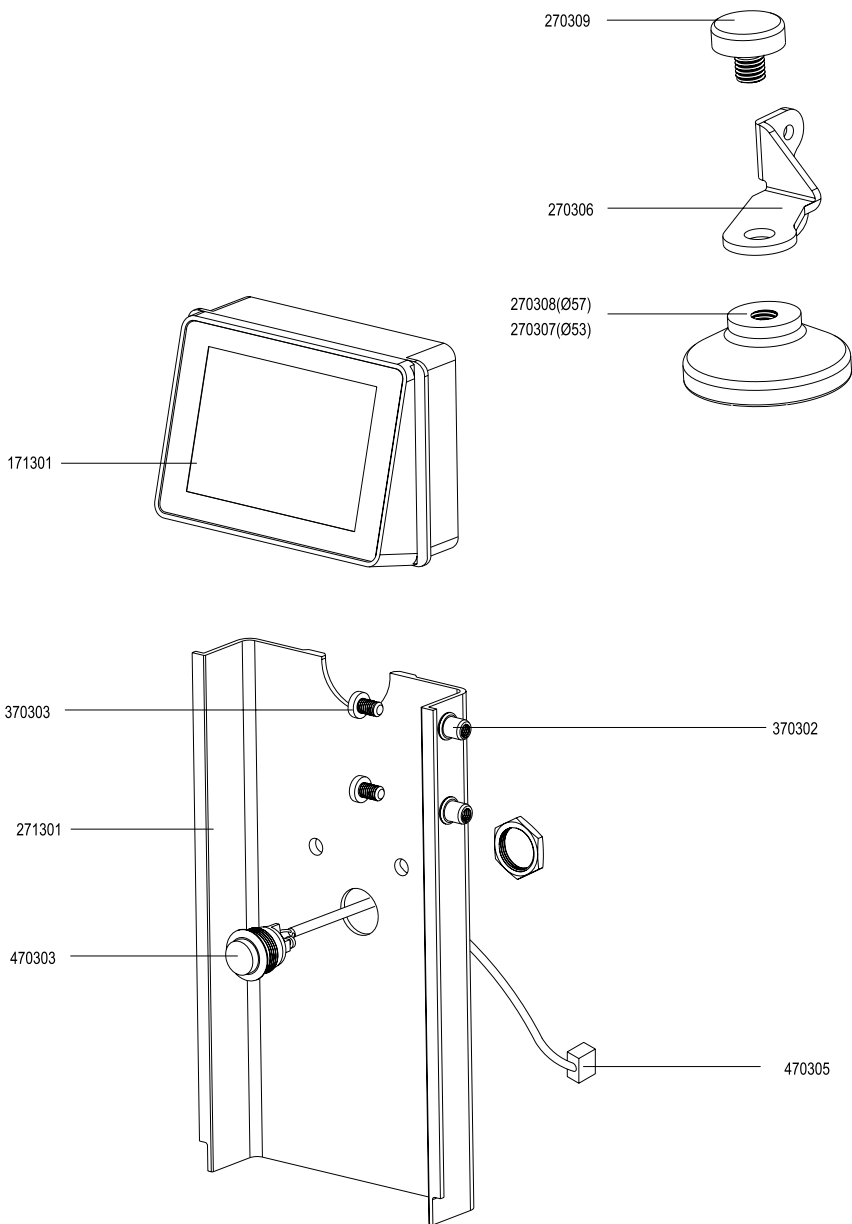
Appliance housing



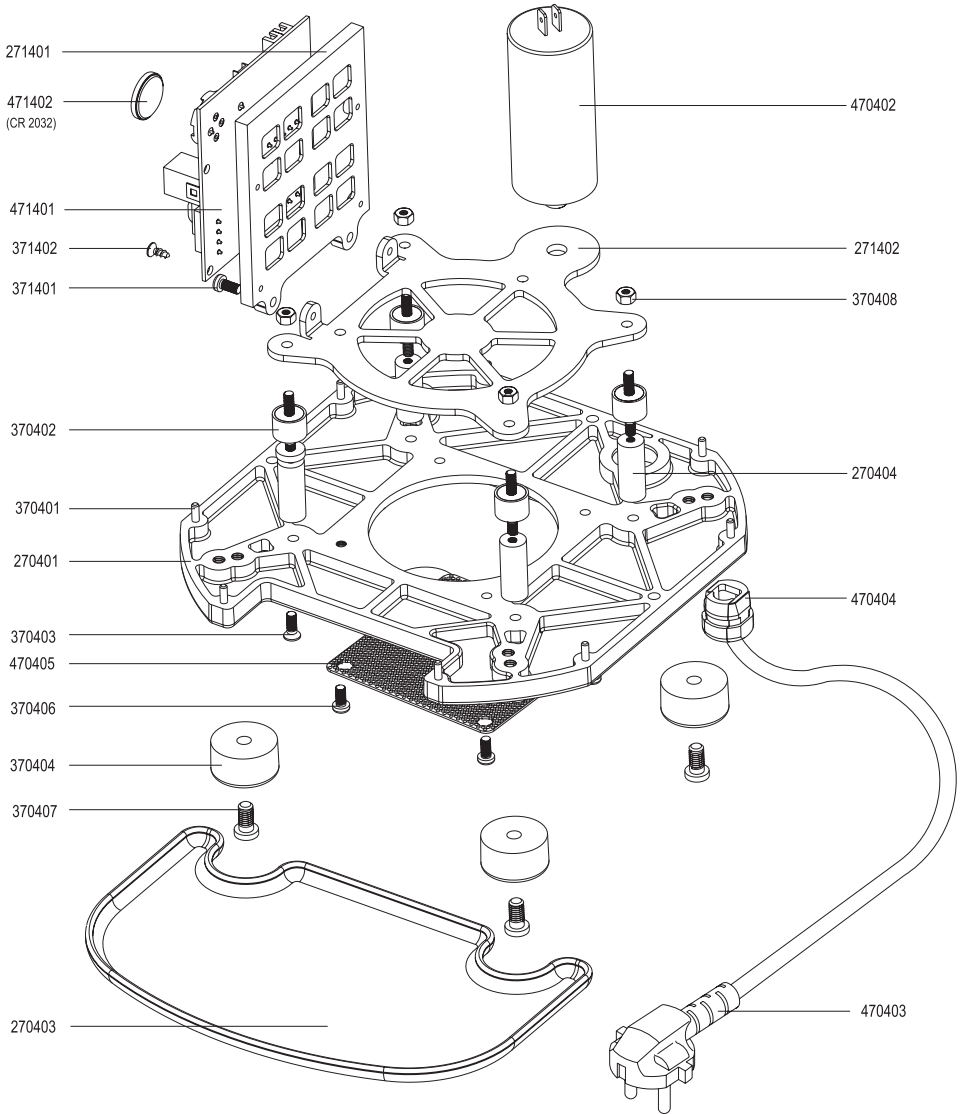
Grinding mechanism



Front panel



Bottom plate



Electrical scheme

