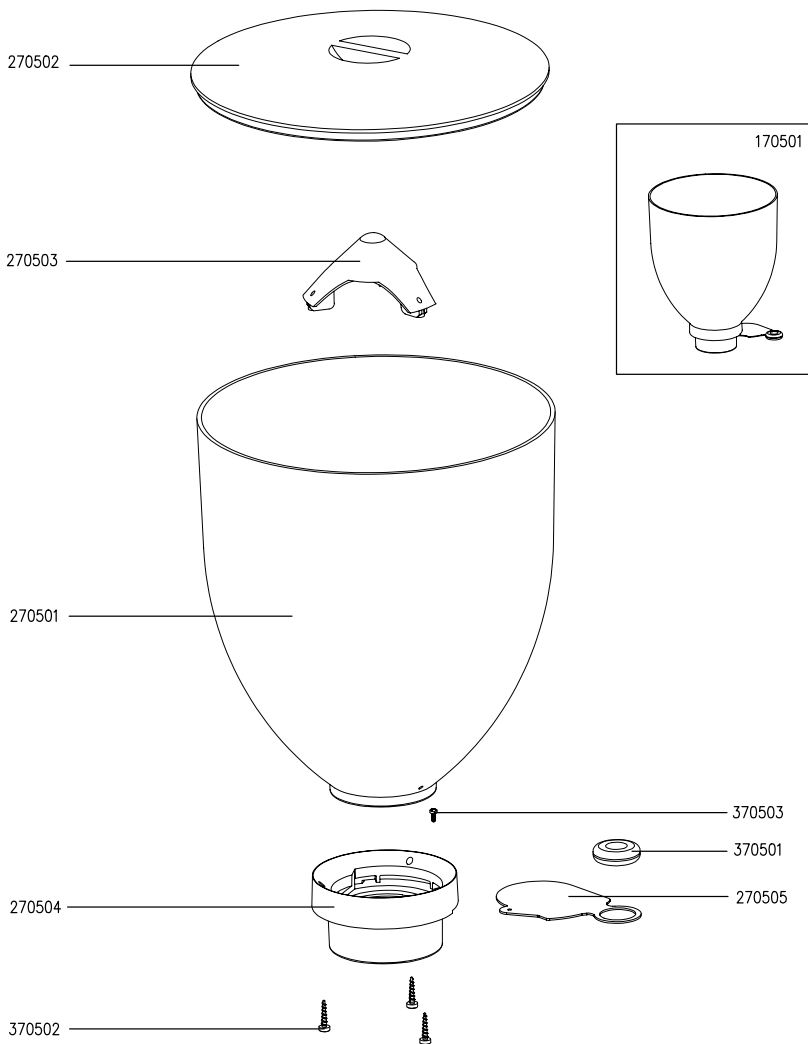




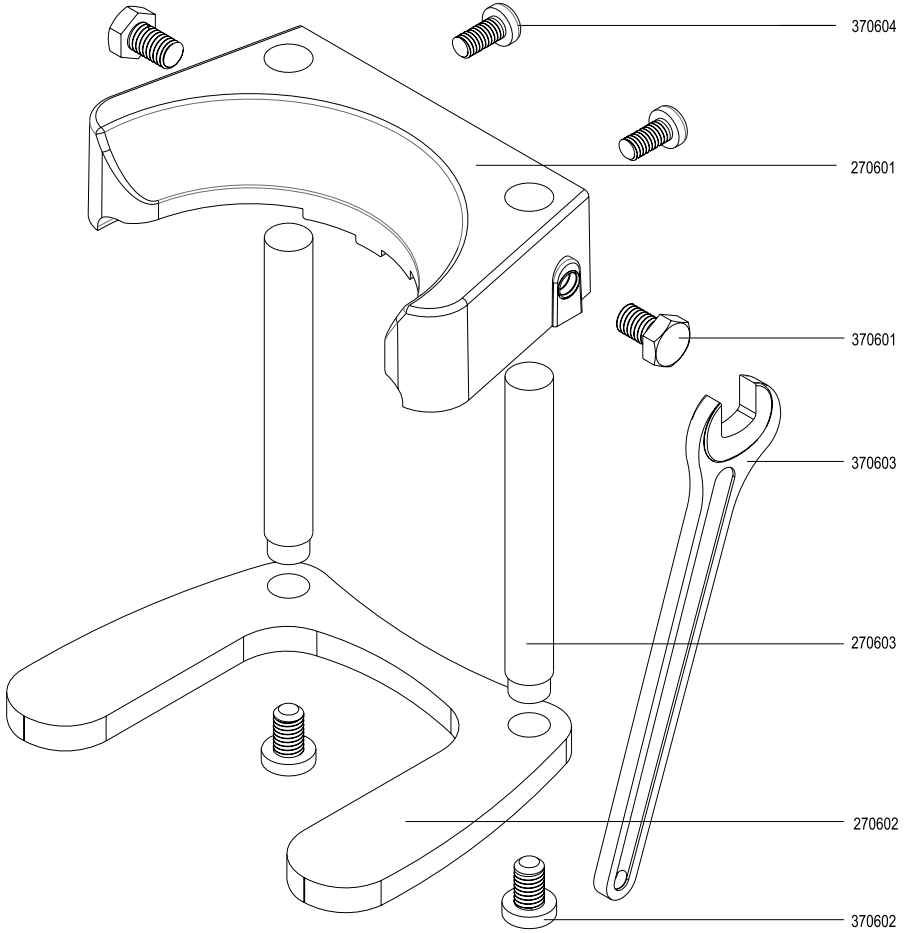
DS-68

Kinematic scheme

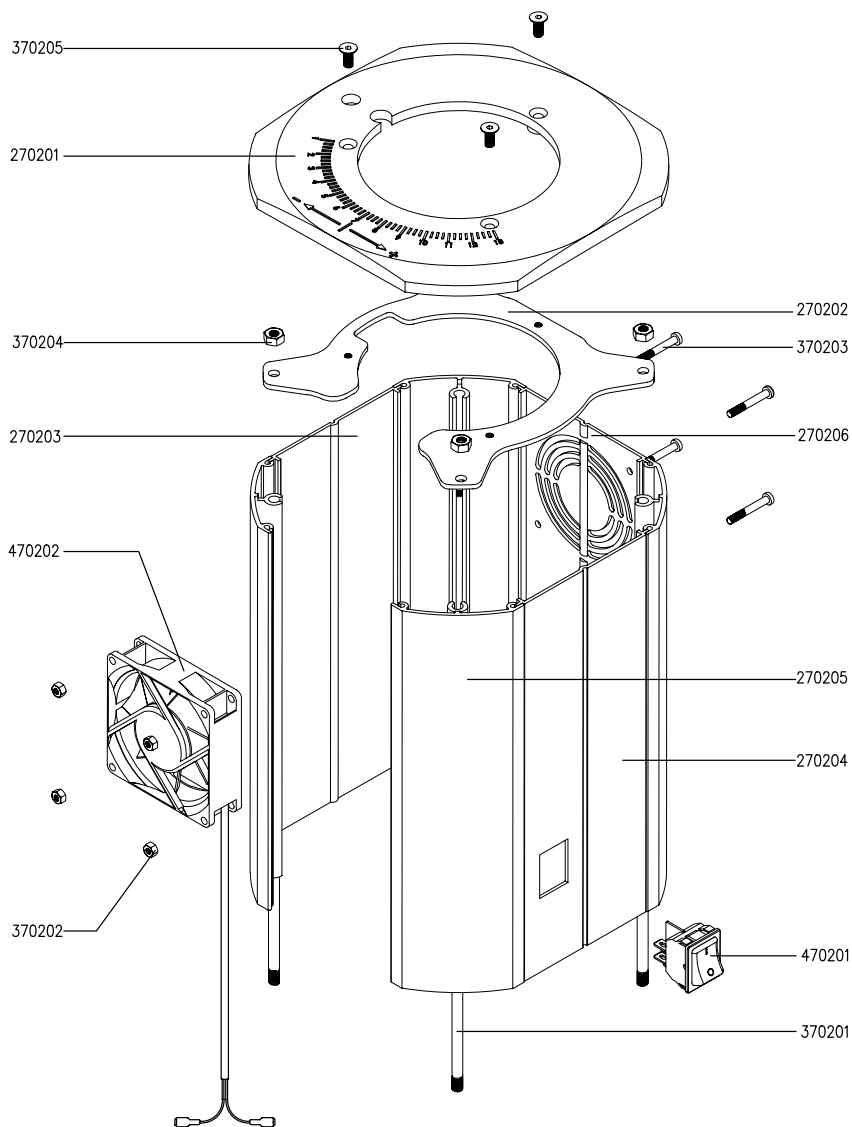
Hopper assembly



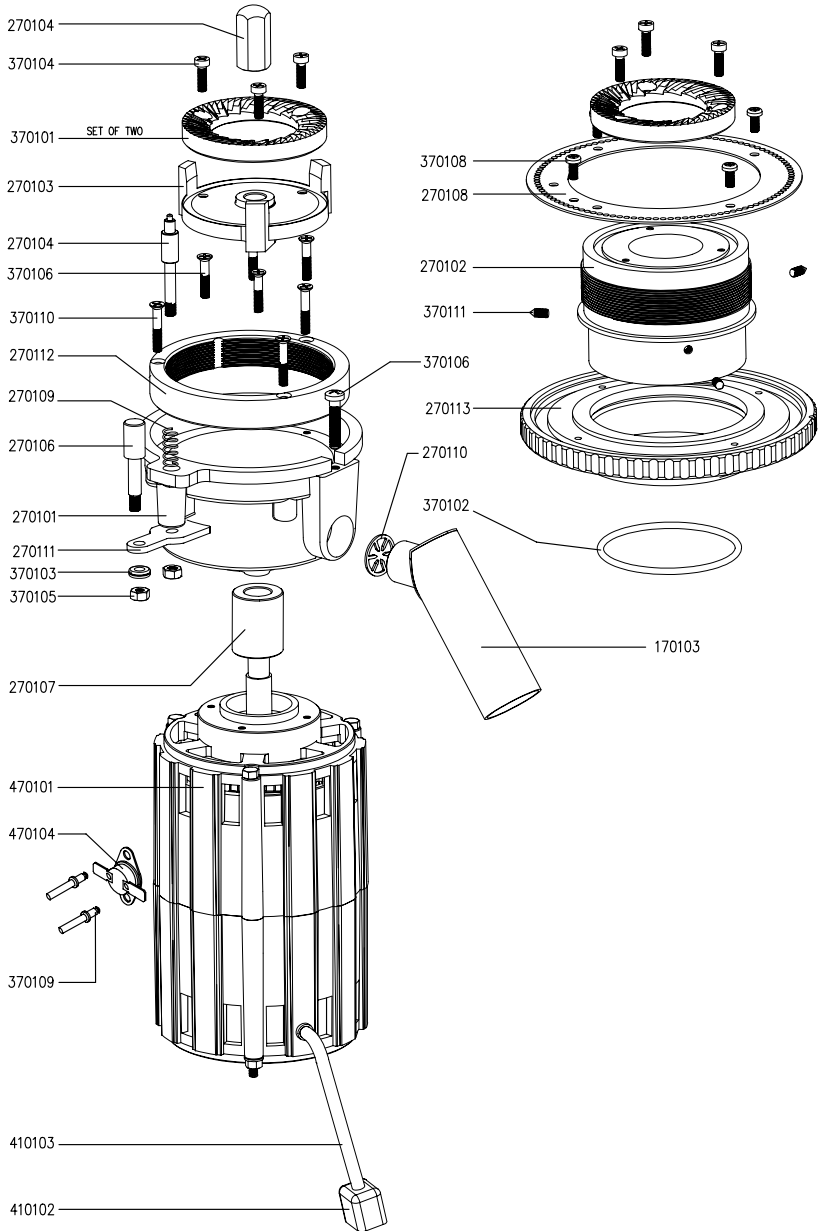
Porta filter holder



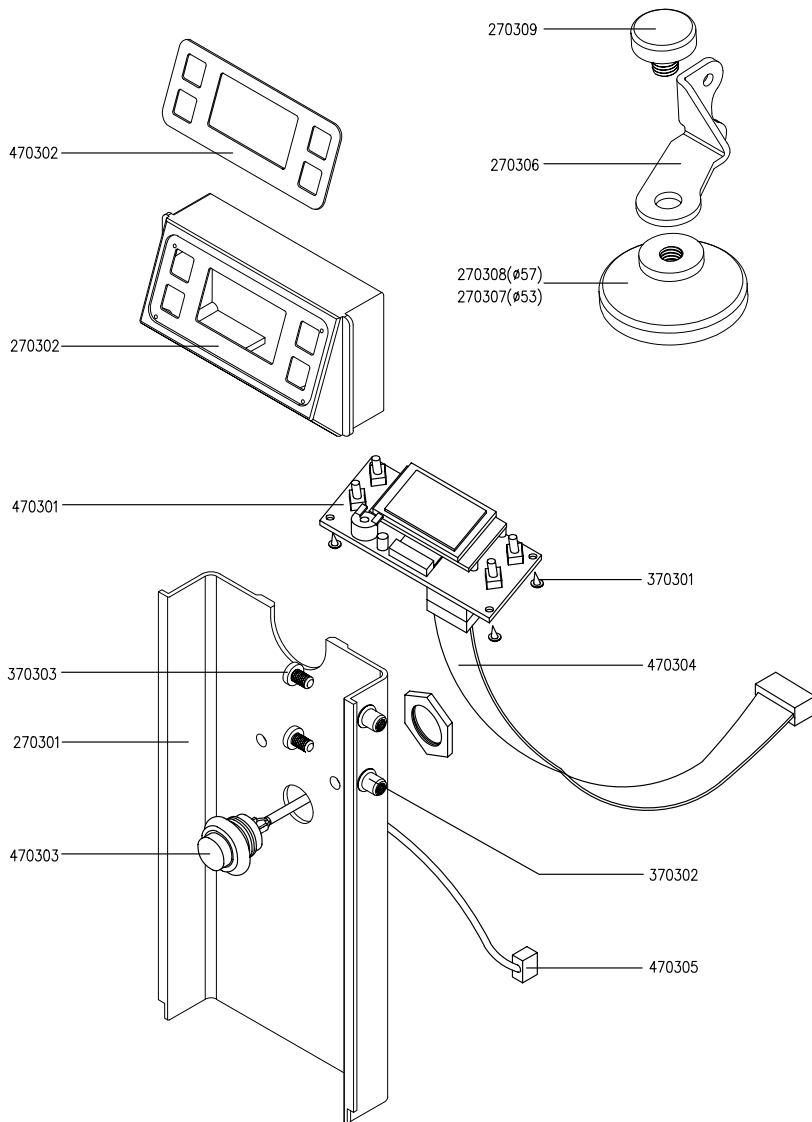
Appliance housing



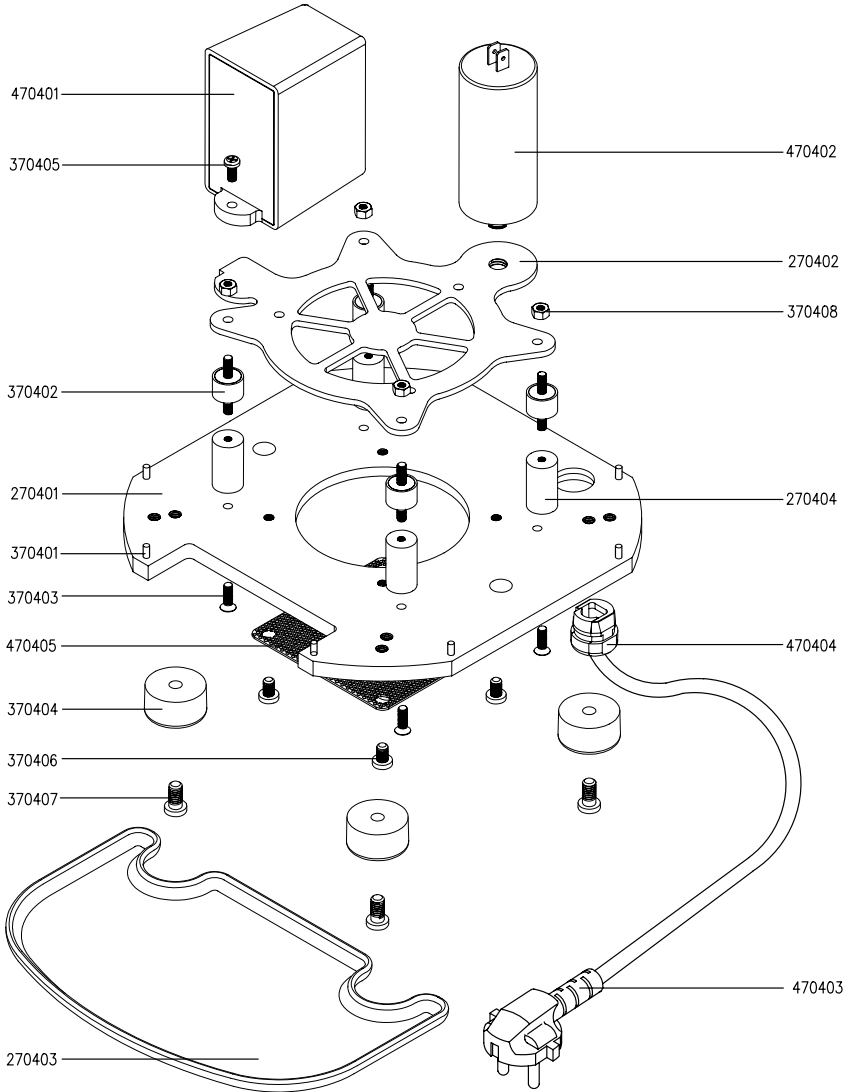
Grinding mechanism



Frontal panel



Bottom plate



Electrical scheme

