

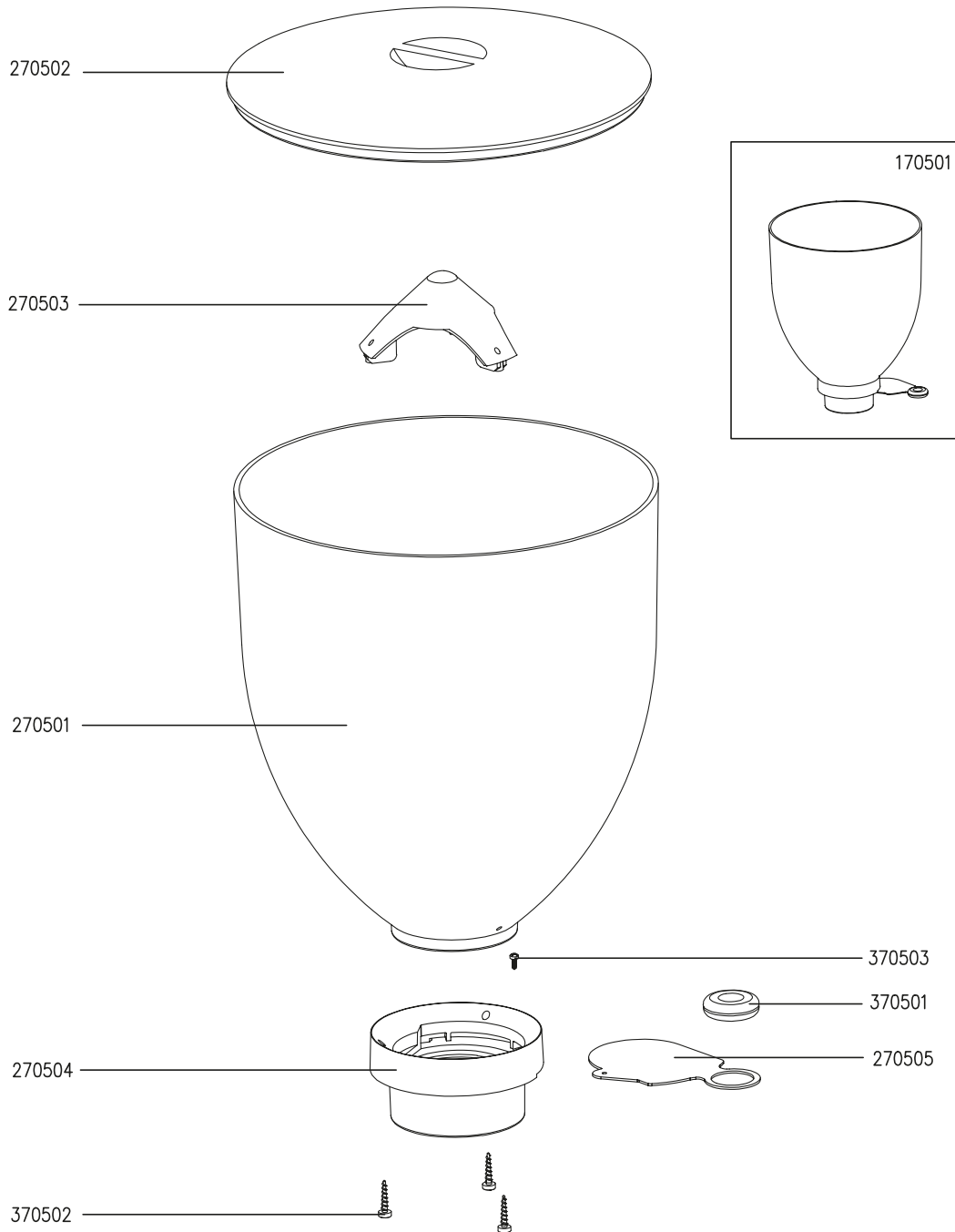
devoted to **PERFECT** grinding



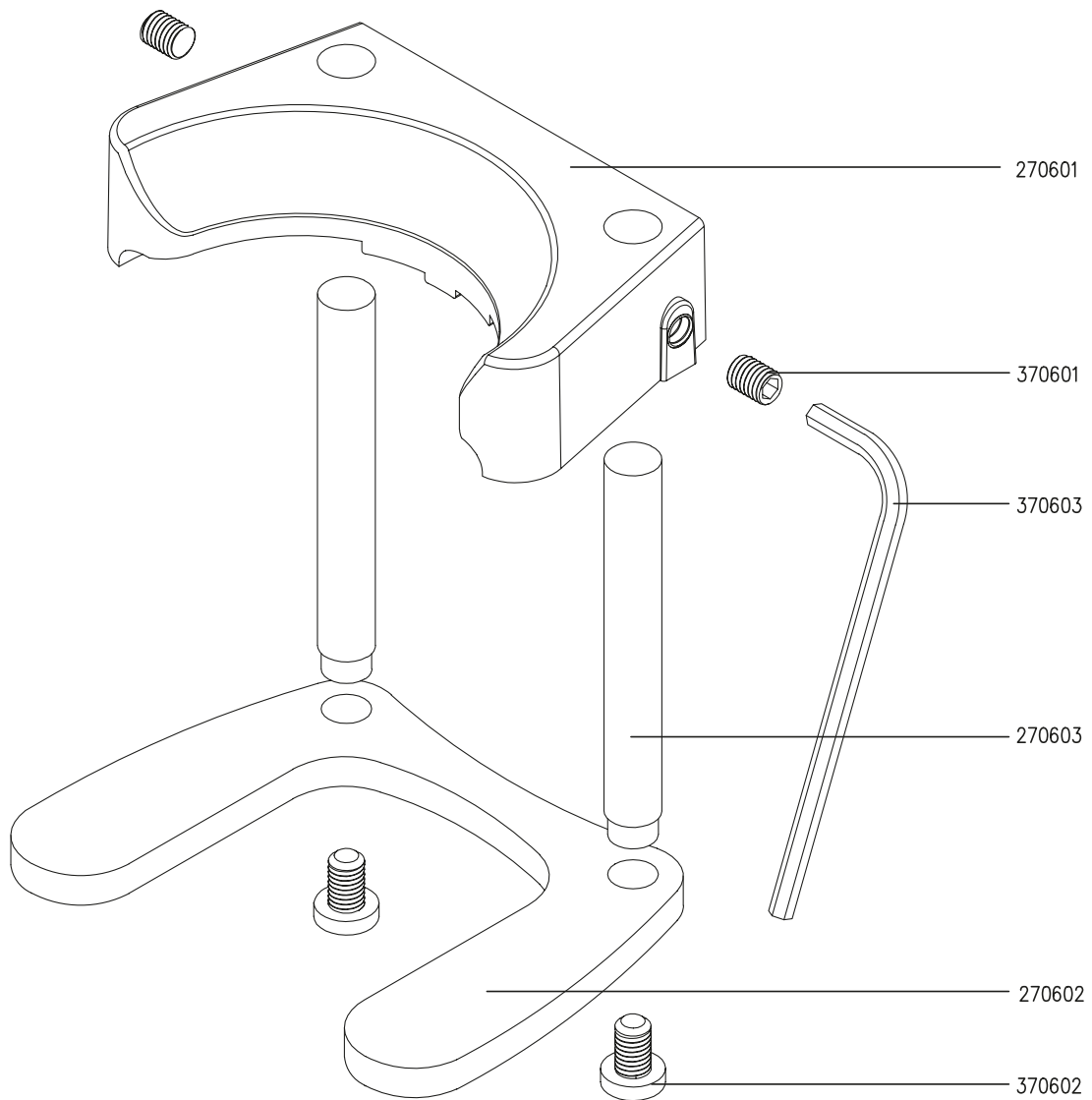
**DIP.**<sup>®</sup>  
GRINDERS

**DS-68**  
**KINEMATIC SCHEME**

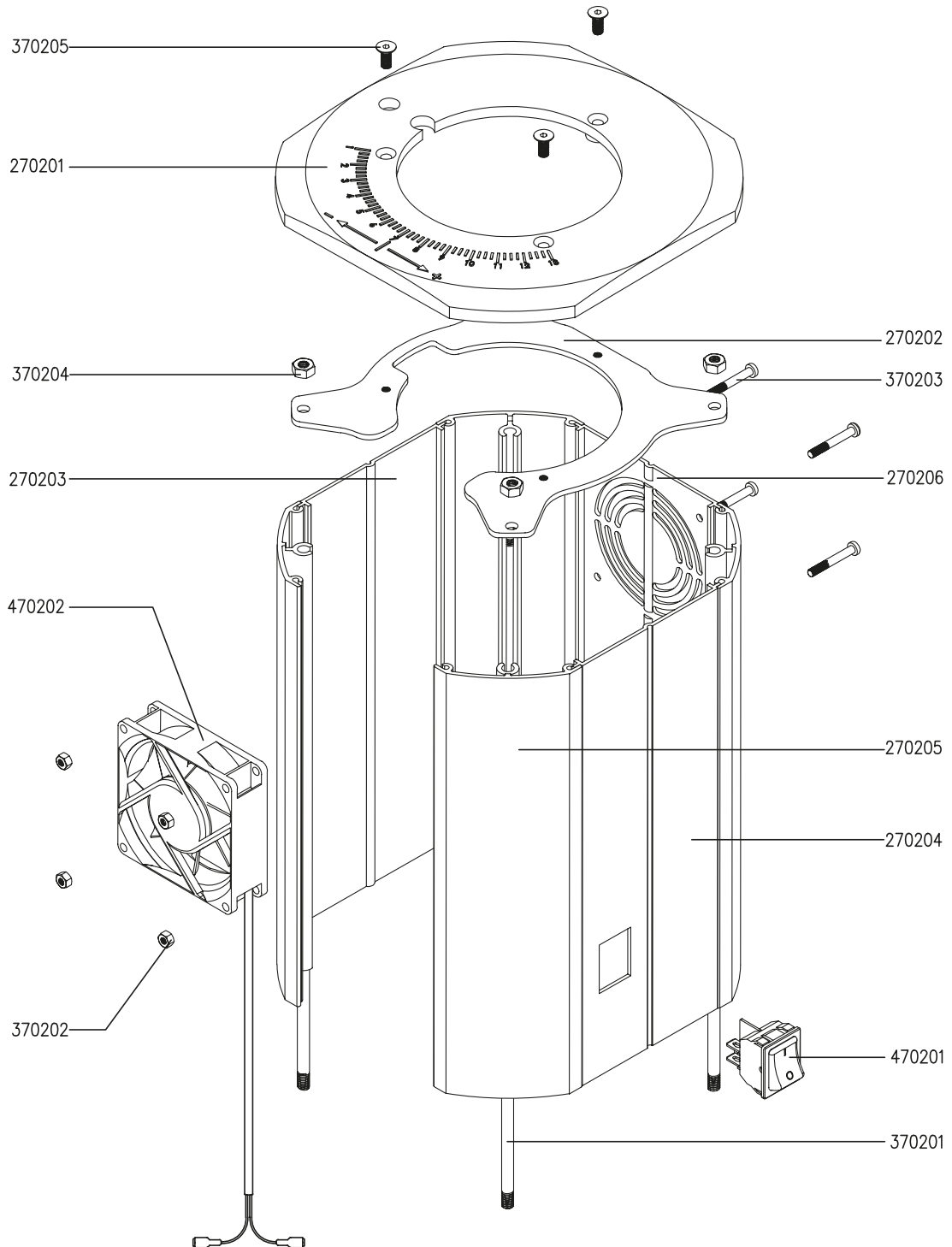
# Hopper assembly



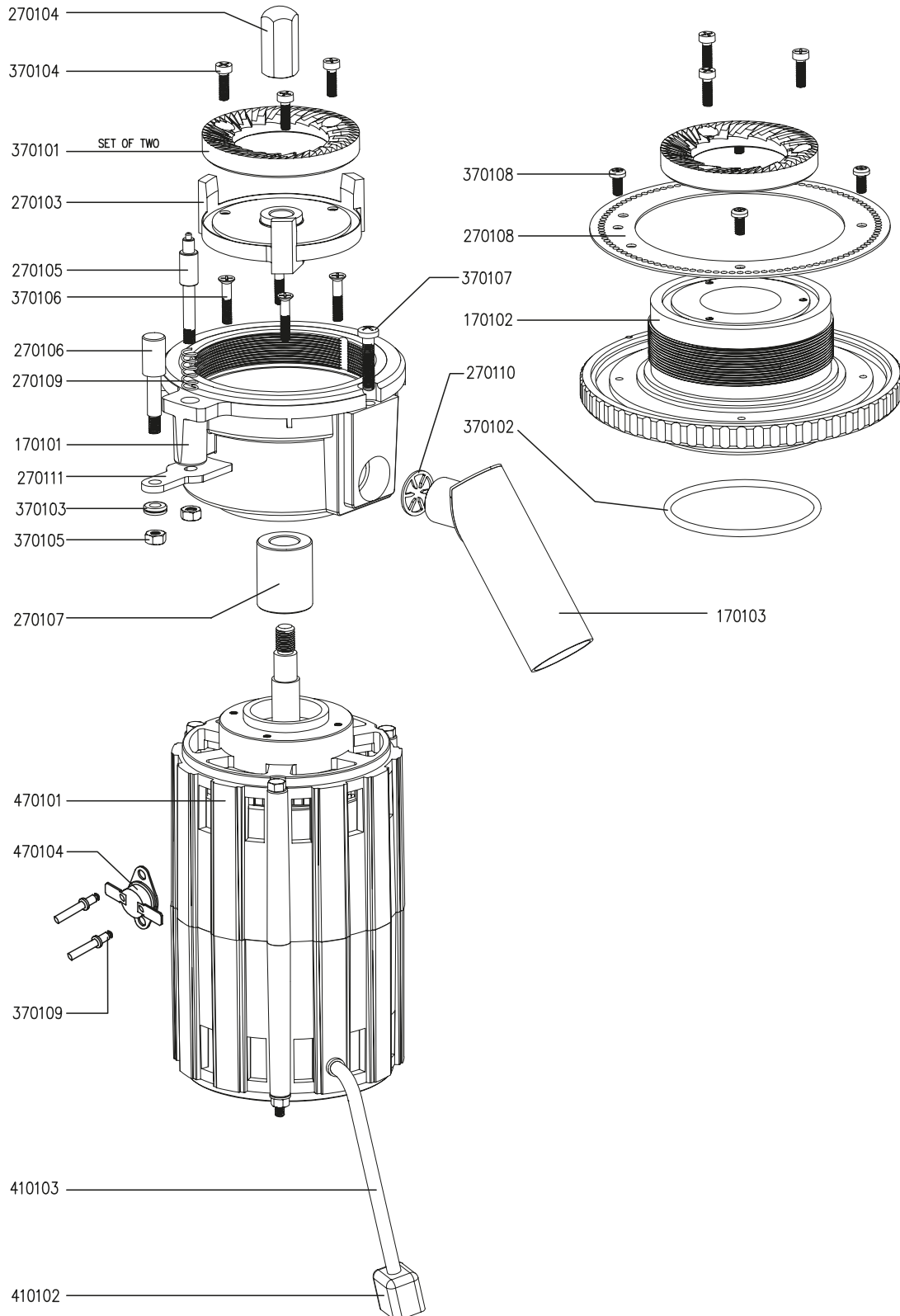
## Porta filter holder



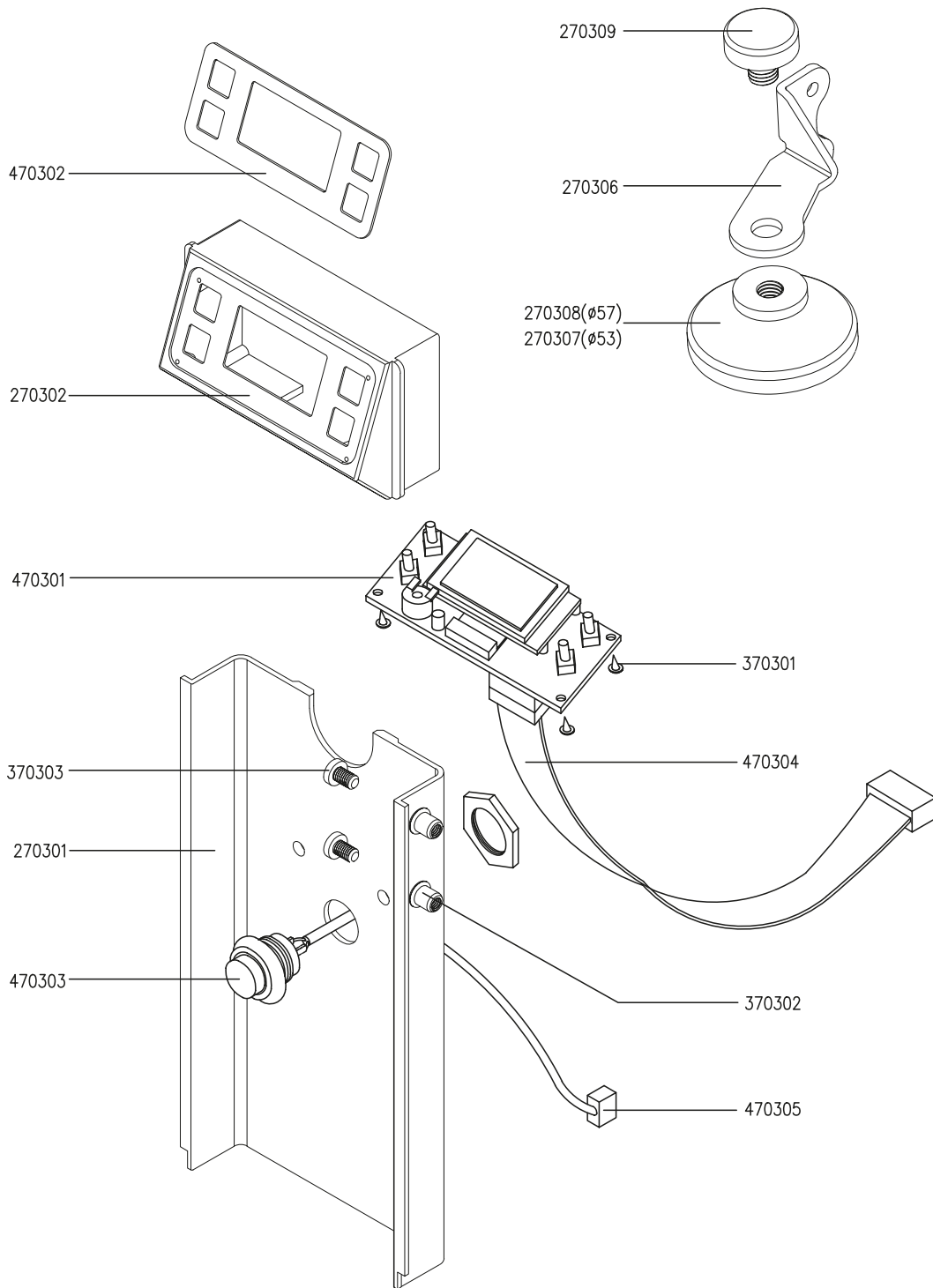
# Appliance housing



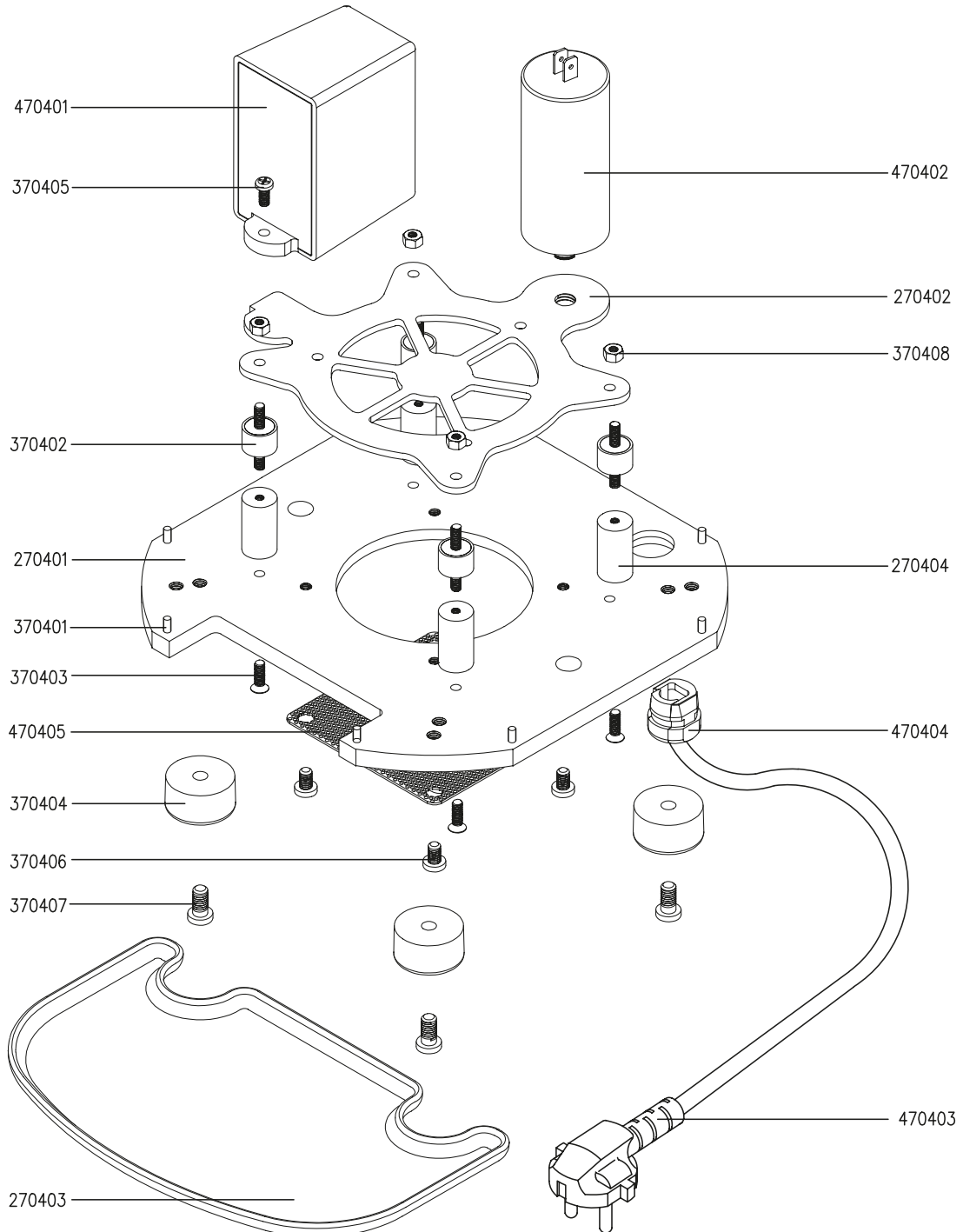
# Grinding mechanism



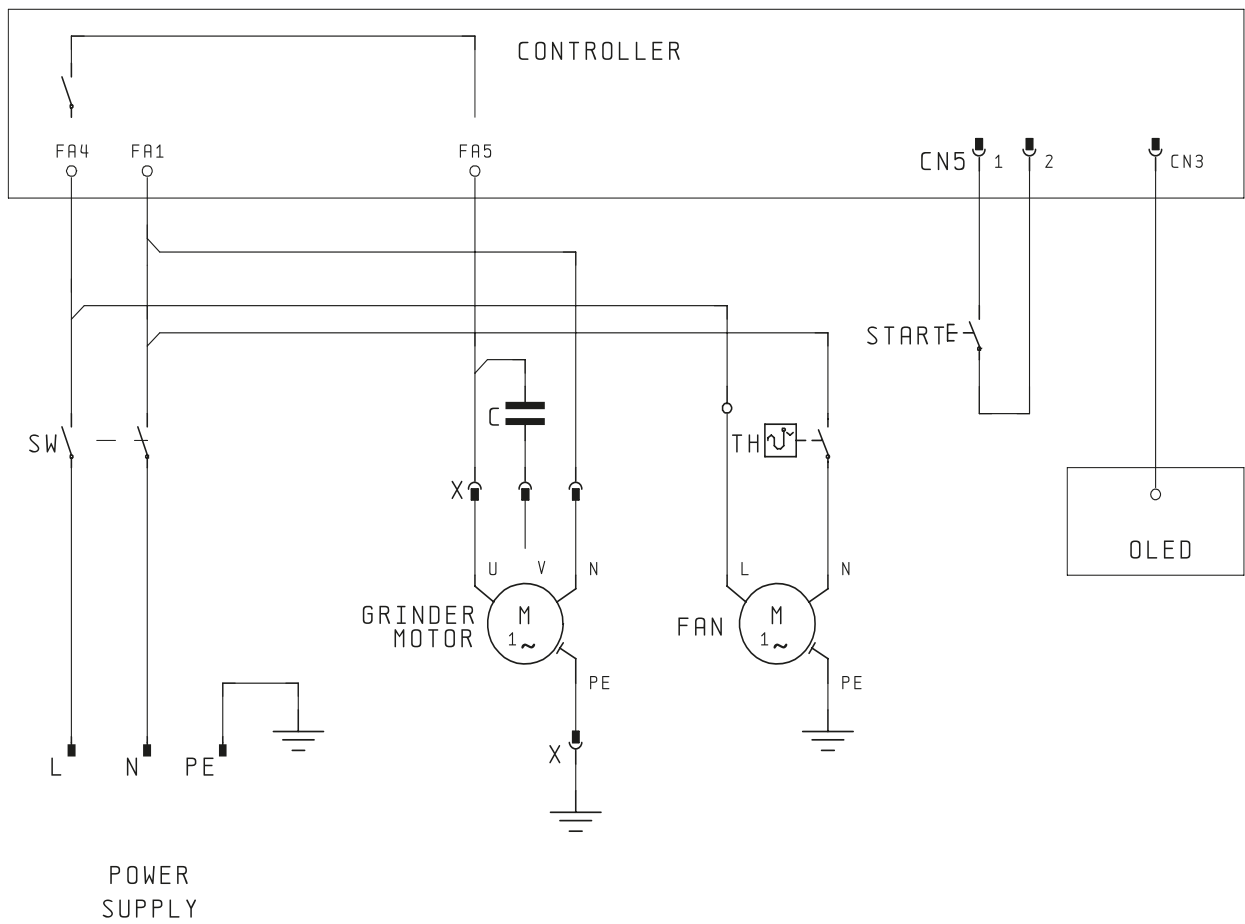
# Frontal panel



# Bottom plate



# Electrical scheme





devoted to **PERFECT** grinding



**DIP.**<sup>®</sup>  
GRINDERS

**HEAD OFFICE:**

287 Theodor Pallady Bd. 032258 Bucharest, Romania  
Phone: +40 21 345 11 06 • Fax: +40 21 345 11 07  
[www.dipgrinders.ro](http://www.dipgrinders.ro) • [office@dipgrinders.ro](mailto:office@dipgrinders.ro)